

BOLERO

JB864: Outdoor chair and table set

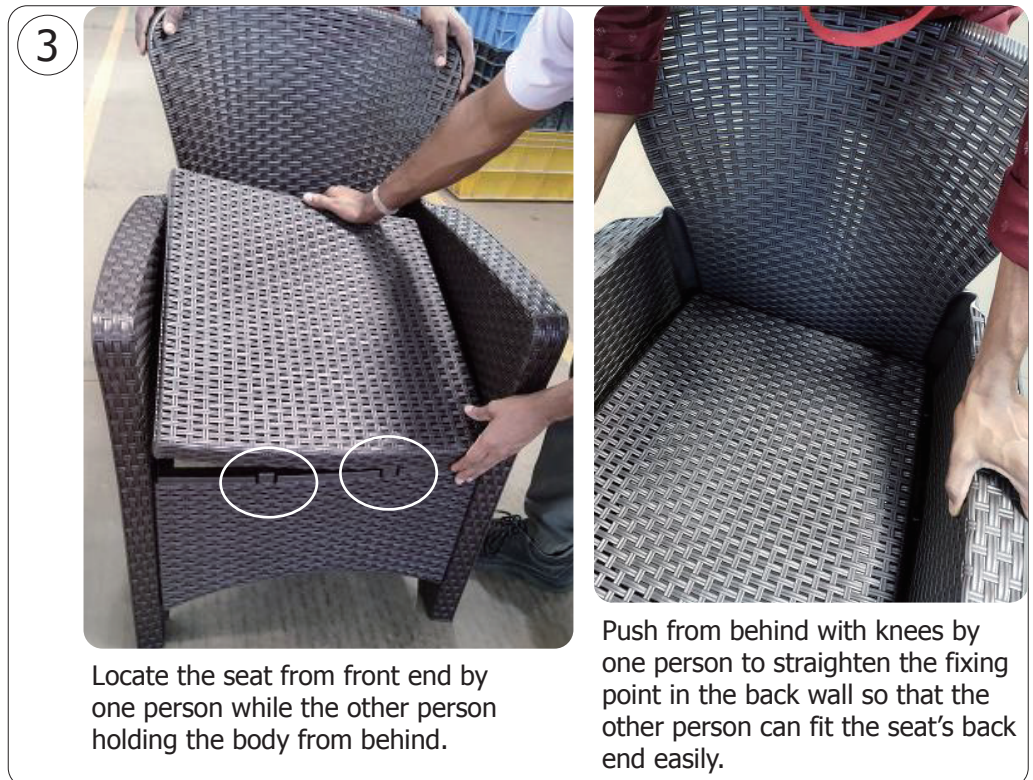
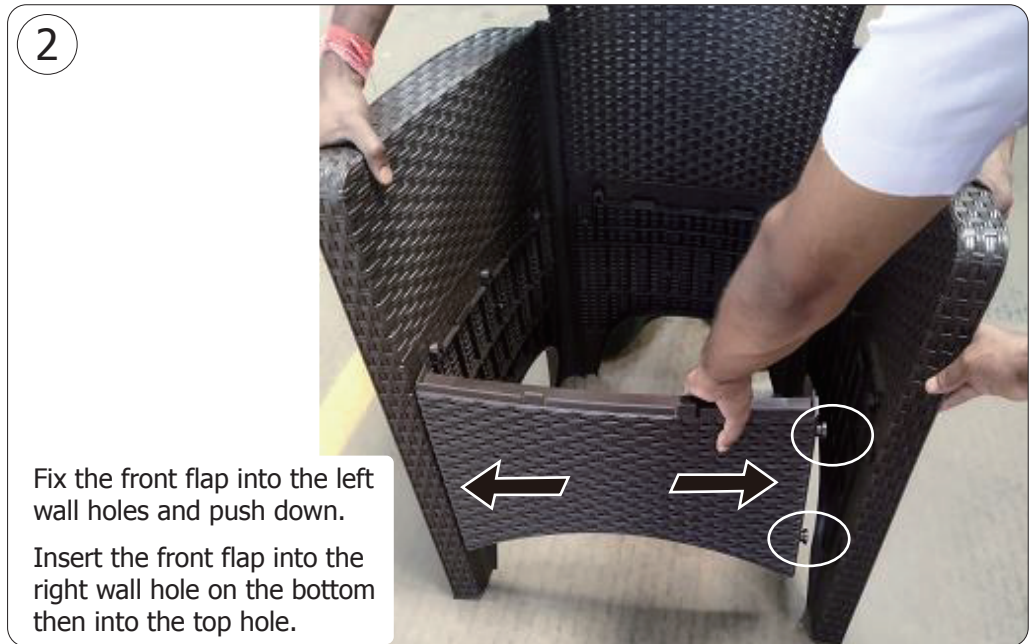
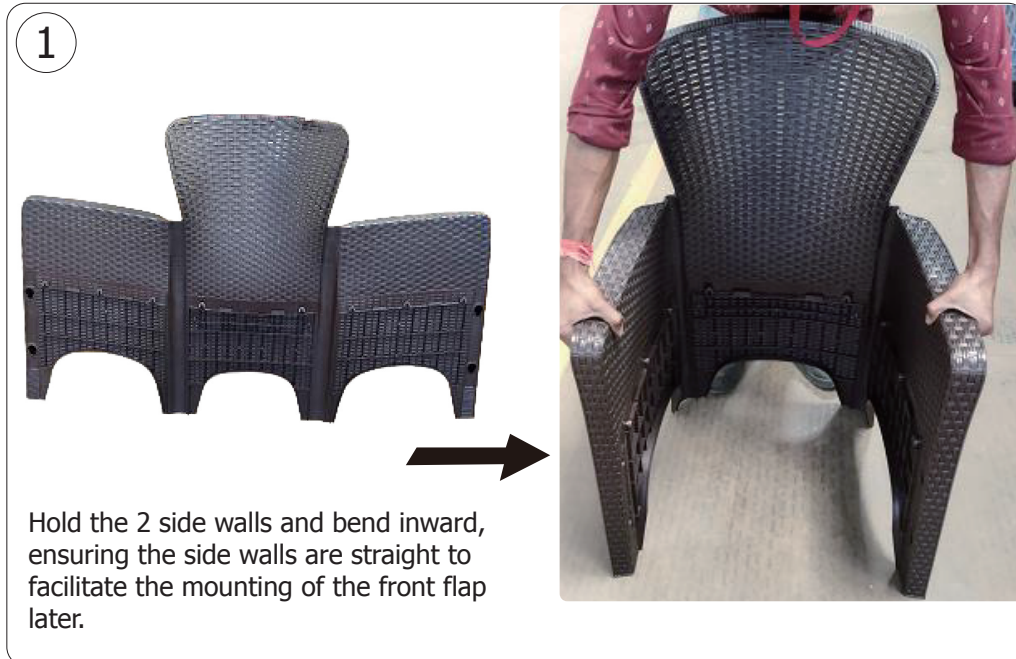
Assembly Instructions

Packed parts

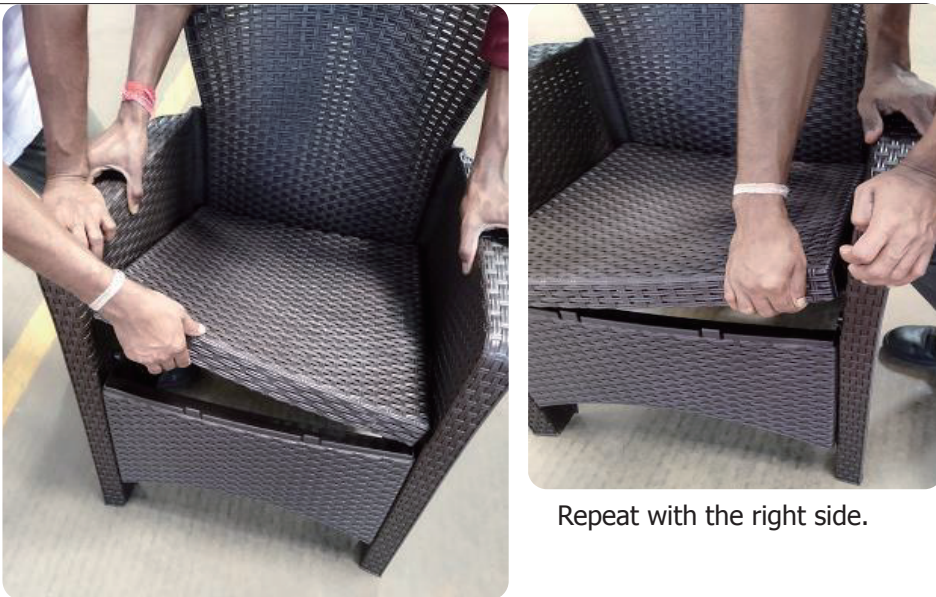


Note: For safe assembly, two competent adults are needed.

Assembly



4



Repeat with the right side.

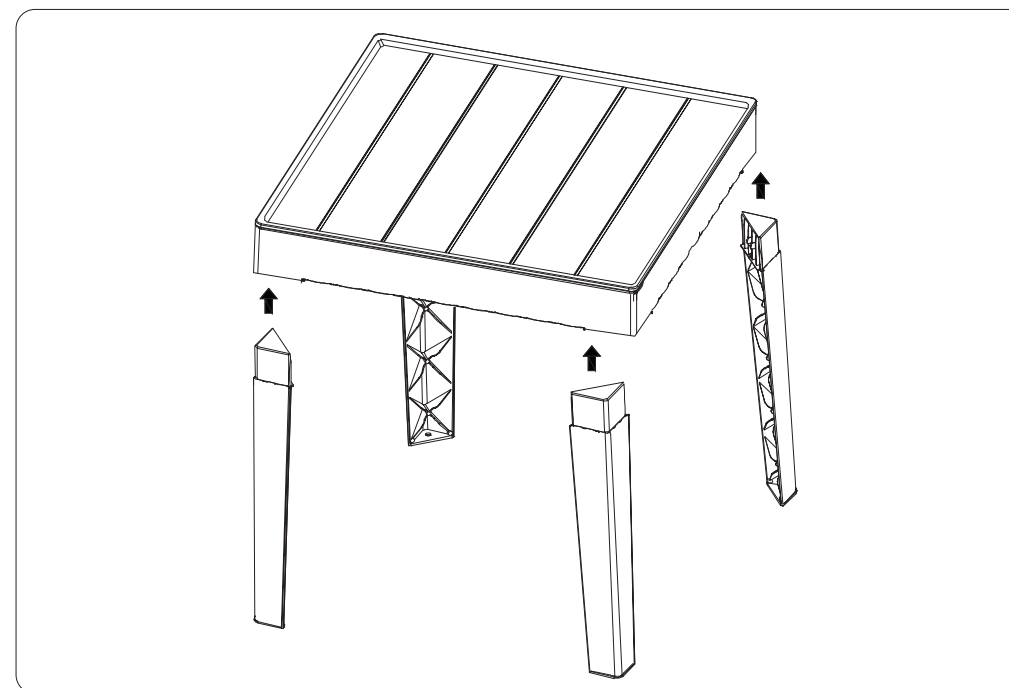
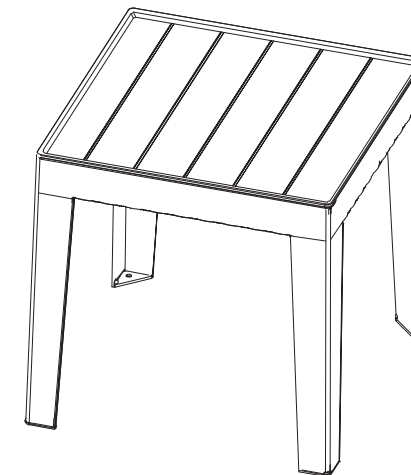
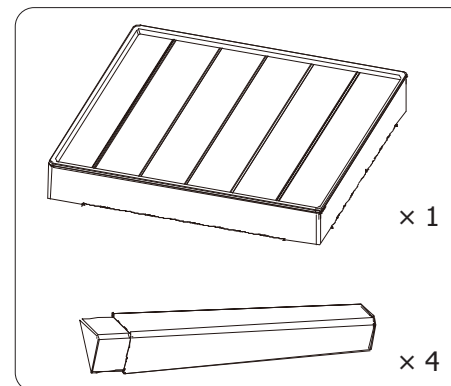
Slightly lift the seat from the left front corner. Push the left wall with knees to straighten the fixing point on the left wall so that the seat's left end can be fixed in place easily. During the whole process, ensure a second person is holding the body all the time.

5



The chair is now assembled and ready for use.

Packed parts



Note: Before assembly, carefully remove all packaging and ensure all parts are present. Please periodically check and tighten assembly.

Once assembled please do not attempt to move or lift the table by pulling the table top as this will cause damage to top!