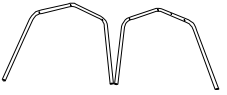
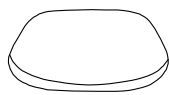
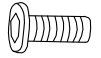

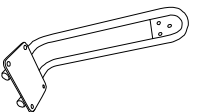

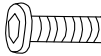



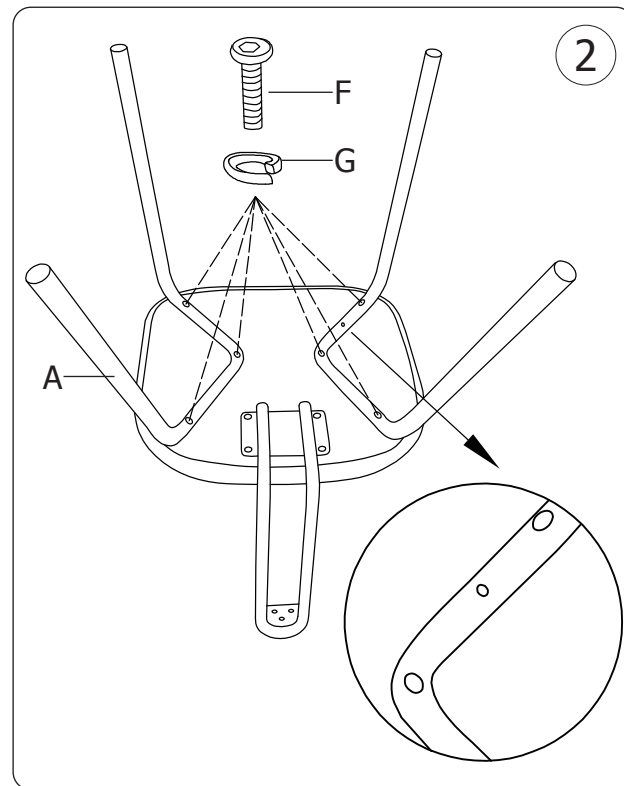
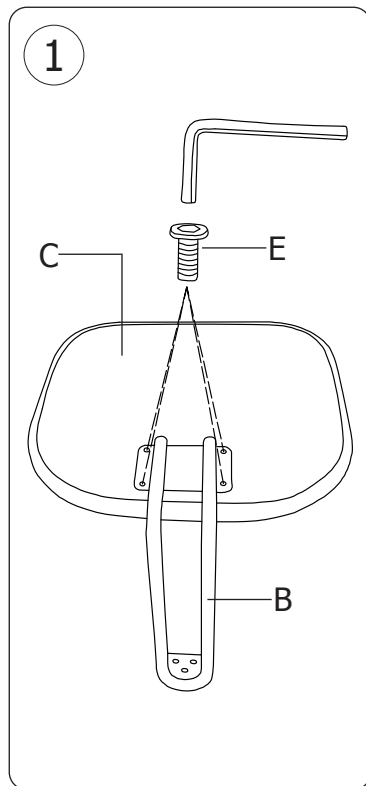
BOLERO

FU500/FU501: Fairfield Set of 2 Chairs

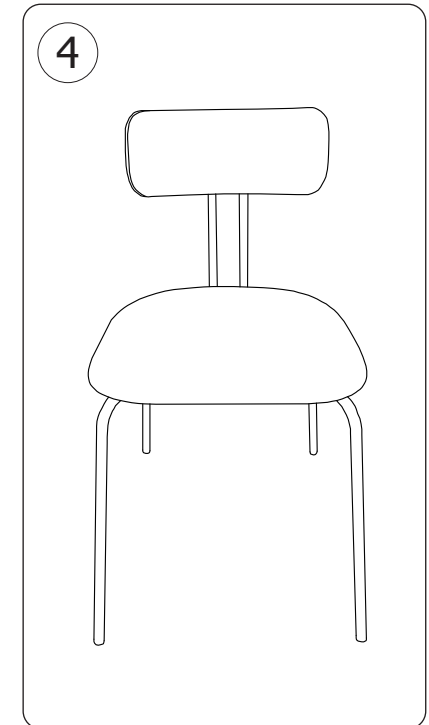
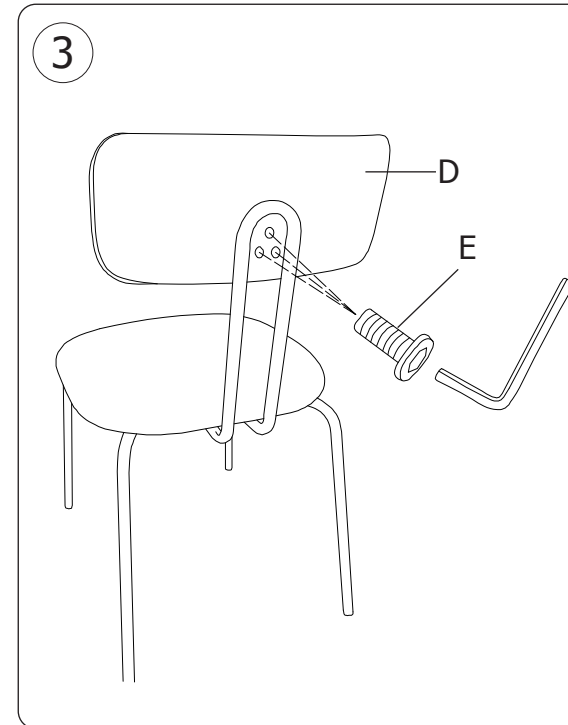
Assembly Instructions

Packed parts

A  x1	C  x1	E  M6x16mm x7	G  x6
B  x1	D  x1	F  M6x35mm x6	H  x1



Manual size: A4 folded into A5



Designed for indoor use only

Care instructions for seat fabric:

Dust regularly to avoid dirt build-up.
Clean gently using a soft damp cloth, then dry well. No detergents or silicone based cleaners are required. Use caution when wearing items with domes, rivets, zips, etc. as these may cause damage to the surface.

Care instructions for frame:

Clean with mild detergent regularly.
Do not use harsh abrasives to clean any metal surfaces.



UK		Fourth Way, Avonmouth, Bristol, BS11 8TB United Kingdom
Eire	+44 (0)845 146 2887	Unit 9003, Blarney Business Park, Blarney Co. Cork, Ireland
NL	040 - 2628080	
FR	01 60 34 28 80	
BE-NL	0800-29129	

BE-FR	0800-29229	
DE	0800 - 1860806	
ES	901-100 133	
AU	1300 225 960	15 Badgally Road, Campbelltown, 2560, NSW, Australia

FU500-FU501_ML_A4_v2_2024/08/06