

WARNING:

This product is designed for Garden and leisure activities. As we have no control over the weather or ground conditions when this item is set up, it is the buyer/user's responsibility to ensure that the assembly and anchoring of this product is sufficient.

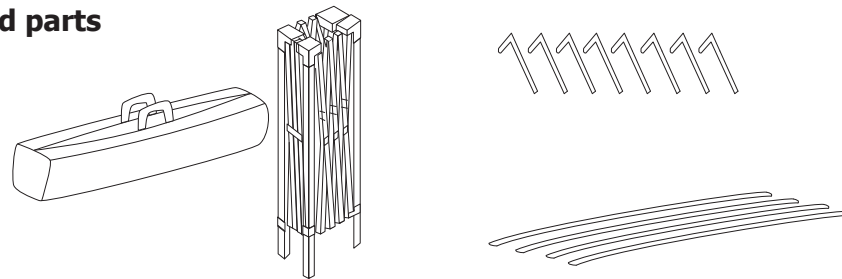
This product is designed as a temporary structure and should not be left up overnight. Attempting to put up the gazebo in windy conditions may be hazardous and could result in injury and/or damage to the product.

We are not liable for any damages resulted from heavy rain, winds or any other extreme weather conditions. Nor liable for any damage to contents placed inside the Gazebo or damage to anything in the surrounding area.

Our warranty covers manufacturing faults but does not apply to damage occurred by misuse or when used against our recommendations or instructions.

Follow these instructions carefully to avoid pinching hands or fingers in any of the moving parts as the frame opens and closes. Putting up the gazebo requires at least 2 people.

Packed parts



How to set up

1

Remove the gazebo from its carry bag and place in the centre of the area to be sheltered. Stand the gazebo on its feet, check to make sure the roof struts are not stuck before moving.

2

With your partner on the opposite side, grasp two outer legs, slightly lift the frame off the ground and take a small step backwards. Be careful not to pull backwards too hard as this will result in the side supports bending.

BOLERO

CJ959: Gazebo White Assembly Instructions

3

Push the top and bottom of the diamond formed by side supports together. Then move to the opposite corner and do the same, move from one corner pole to the other taking a small step backwards each time until the gazebo is almost fully open.

4

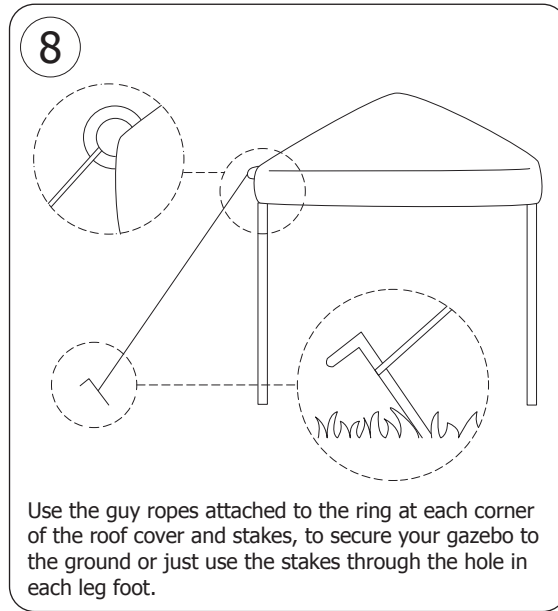
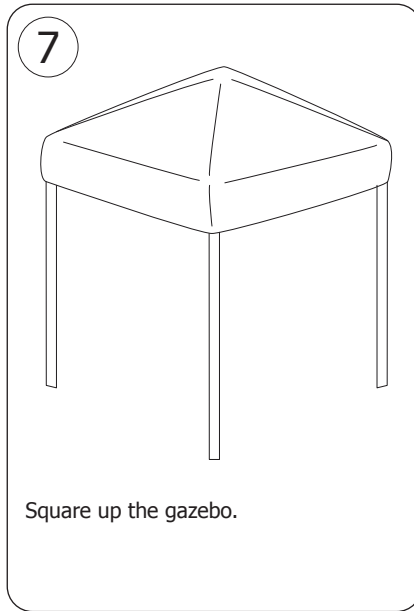
Engage the slider at each corner by pushing up with one hand while holding down the top of the leg with the other hand. A snap button will engage in the locating hole. Repeat for the remaining legs.

5

Place the cover over frame. Attach the Velcro tabs (located on the underside of the top cover) around the frame struts.

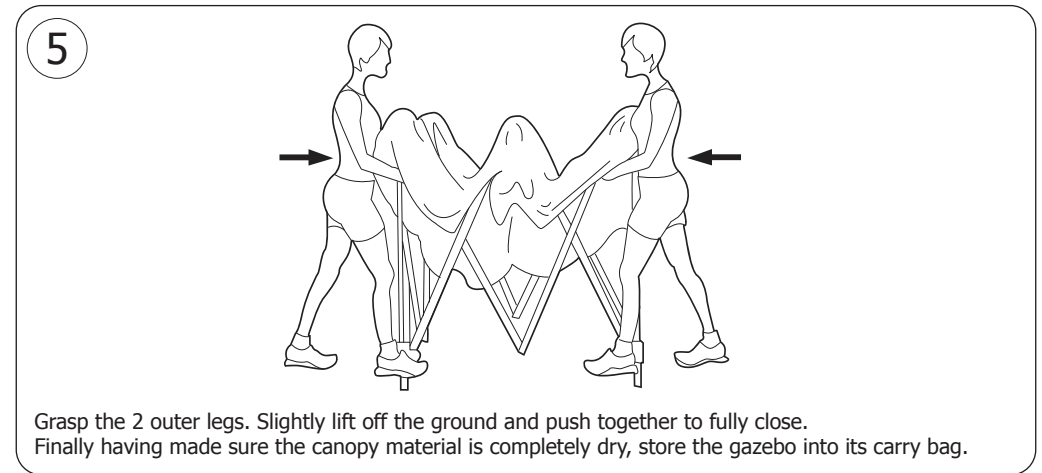
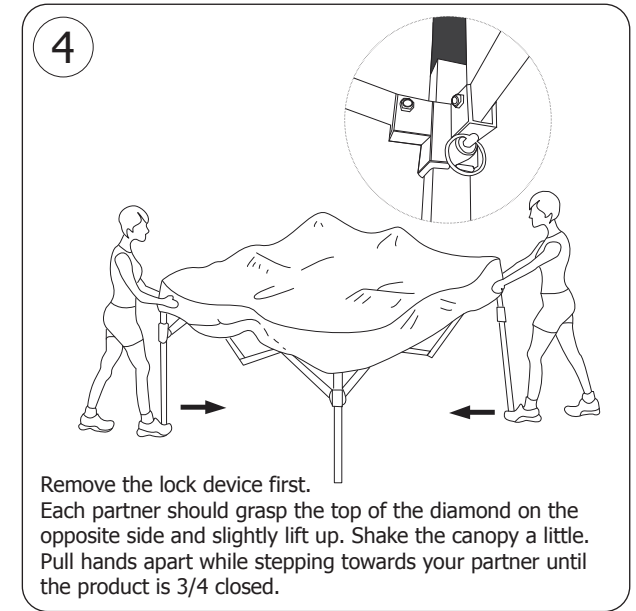
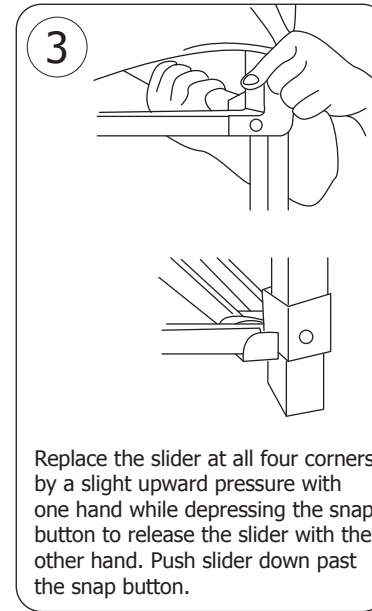
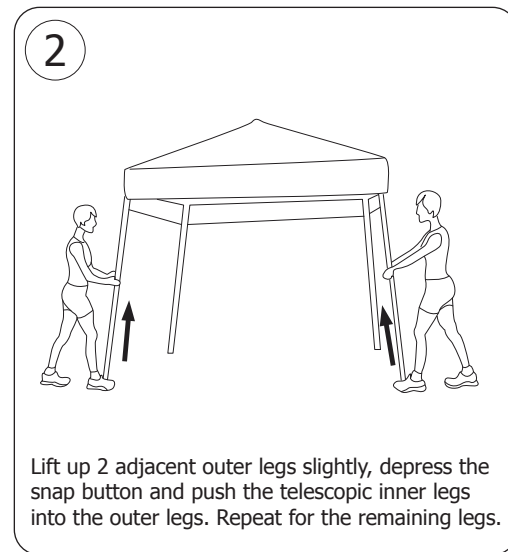
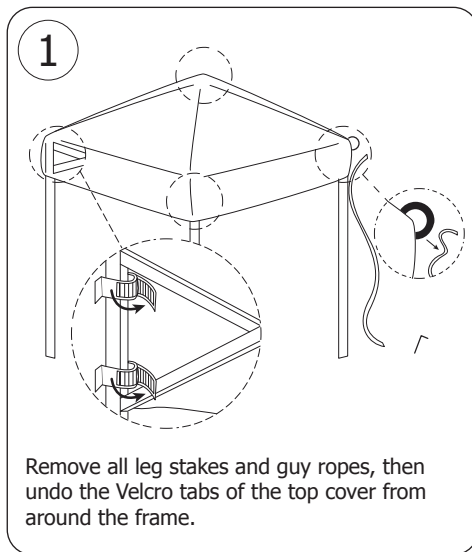
6

Place a foot on the foot plate of the bottom of adjacent legs and lift up the leg, sliding the inner leg out until the snap button locks in the locating hole. Repeat for the remaining legs.



Note: The roof canopy has been fitted with "storm drain" eyelets to help prevent water pooling up in extreme weather conditions - these should not be blocked.

How to take down



UK		Fourth Way, Avonmouth, Bristol, BS11 8TB United Kingdom
Eire	+44 (0)845 146 2887	Unit 9003, Blarney Business Park, Blarney Co. Cork, Ireland
NL	040 - 2628080	
FR	01 60 34 28 80	
BE-NL	0800-29129	

BE-FR	0800-29229	
DE	0800 - 1860806	
ES	901-100 133	
AU	1300 225 960	15 Badgally Road, Campbelltown, 2560, NSW, Australia