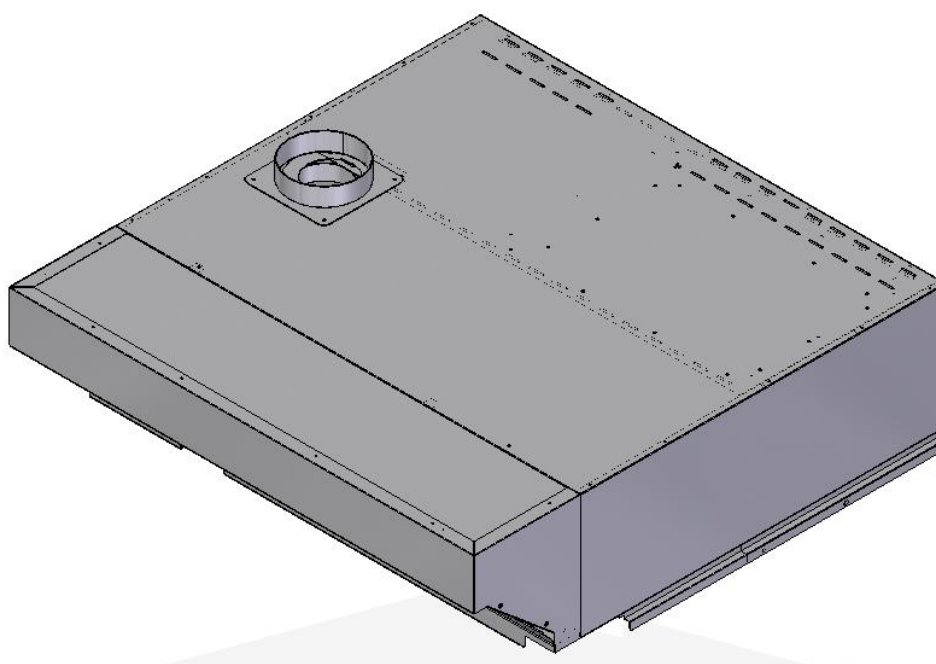




# Instruction Manual

AP123 Extraction Hood compatible with CK079  
Buffalo Combi Oven



**Caution: Read the instructions before using the appliance**

# CONTENTS

1.	GENERAL AND SAFETY STANDARDS	3
2.	SAFETY INSTRUCTIONS, TRANSPORT AND MAINTENANCE	5
3.	STARTING UP THE UNIT	6

# 1. General and safety standards

---



## Safety standards and responsibility for installing and maintaining

- Read this manual thoroughly before starting the unit and keep it for further consultation. If you need technical support, contact an authorised technical service.
- Installation, starting and maintenance of the oven shall be carried out by qualified technicians in accordance with the scale and technical characteristics specified by the manufacturer. Likewise, observe the current legislation on safety and with regard to installations and occupational safety in force in the country of use.
- Check that the unit is unplugged from the power supply before installing or maintaining.
- Before installing the unit, check that installations are in accordance with the current legislation in the country of use and refer to the indications on the data plate.
- Do not manipulate or disconnect the unit safety devices. This will invalidate the warranty.
- Damages, injuries or fatal accidents could be produced due to the non-observance of the manufacturer's indications.
- If the oven is installed on supports or overlaying parts, use the ones supplied by MANUFACTURER only and follow the assembly instructions inside the packaging.
- Non-original spare parts do not ensure the correct operation of the unit and will imply the loss of the warranty.
- The oven must be only used by duly-trained technicians.
- The oven data plate provides necessary technical information for repair or maintenance. Therefore, avoid removing, damaging or modifying it.
- **Failure to comply with these safety standards will release MANUFACTURER from any responsibility and the warranty will become null and void.**



## Safety standards for use

- Read this manual thoroughly before starting the unit and keep it for further consultation. If you need technical support, contact an authorised technical service.
- If the unit is not used for a long time, all connections must be interrupted (power supply and water).
- The oven must only and exclusively be used for the purpose it was designed, it is to say, for baking products such as fresh or frozen bread or pastries. Any use other than the mentioned may damage the unit.
- Do not put products into the oven with a high alcohol concentration
- The outside and inside of the oven should be cleaned frequently to ensure hygiene and proper performance. Do not use abrasive or flammable products, which may damage the unit, to clean those surfaces.
- Usage and cleaning different from what is recommended by the manufacturer and with non-authorised products may damage the unit and the user.
- Do not use direct water jet on the unit in order to avoid damaging its components.

- The use of an anti-lime filter at the water supply inlet is recommended. Otherwise, some oven components may be damaged. **Faults caused by lime or water sediment are not included in the warranty.**
- **Failure to comply with these safety standards will release MANUFACTURER from any responsibility and the warranty will become null and void.**



### **Risk of burns**

- Read these warnings carefully and follow its indications when the oven is working or not completely cooled down.
- Only touch the unit control elements and the door handle. Avoid touching any other external element of the oven as it may reach temperatures over 60°C.
- Wear thermal mittens or similar to move or handle containers or trays inside the baking chamber.
- Open the oven door slowly and be careful with high temperature vapours coming out from the baking chamber.



### **Risk of fire**

- If you do not clean the unit properly or as often as needed, greases and food leftovers will be accumulated in the baking chamber and then, become inflamed.
- Only use the products recommended by the manufacturer. Using other products may damage the unit and invalidate the warranty.
- Only use home-use cleaning products and a soft damp cloth to clean the outside coating. Do not use corrosive or irritating substances.

## 2. Safety instructions, transport and maintenance

---

### 2.1 Unpacking

**Visible damages:** When receiving the material, enter a detailed description of the break in the PDA or in the delivery note.

General comment such as “damaged packaging” or “damage can be seen”, etc. will not be accepted. Clear photographs showing the damaged goods and packaging must be provided.

**Hidden damages:** Once delivery has been made, any hidden damages must be reported within 24 hours of receipt of goods. In the event of any damages, photographs showing the damaged goods and its corresponding packaging must be provided. The transport agency label must be clearly visible. Photographs showing the content only and exclusively will not be accepted.

In either case, transport incidents should be reported to MANUFACTURER to manage the replacement of the machine.

If visible damages are detected when receiving the packaged machine, indicate “hits to the oven” at the time of the delivery, take photos of the damages and transport agency label on the packaging. Please, contact MANUFACTURER immediately.

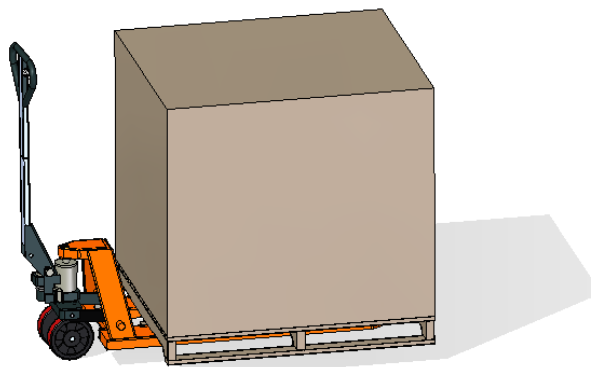
If the package appears in good condition and damages are detected when unpacking, place the original packaging again on the machine, take pictures of the packaging and transport Agency label on the packaging. Next, unpack again and take pictures of the damages to the machine. Please, contact MANUFACTURER immediately.

### 2.2 Transport

Before transporting the unit to its installation site, make sure that:

- Fits through the door
- The floor withstands its weight.

Transport should only and exclusively be carried out by mechanical means, such as a pallet Jack, and always on a pallet.



### 2.3 Preliminary operations

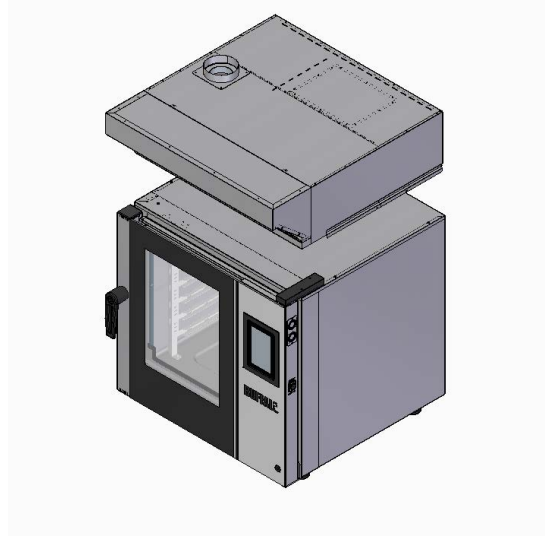
Remove the protection film from the unit. Clean the adhesive residues with an appropriate solvent. Never use abrasive or acidic products or tools that may damage the surface.

### 3. Starting up the unit

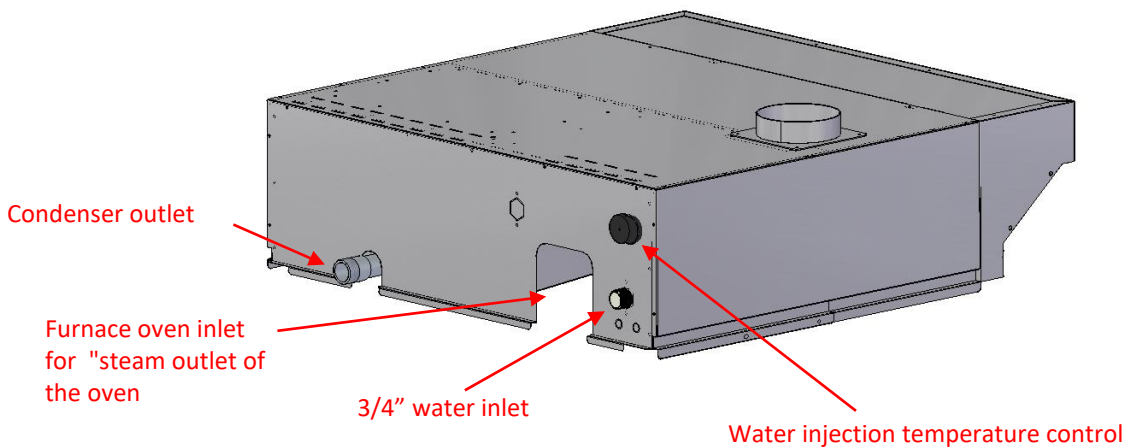
---



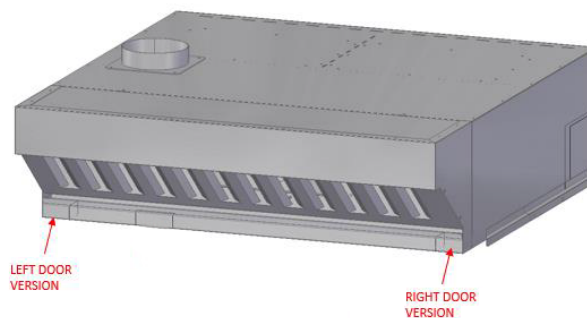
Remember that any issue or breakdown derived from a bad installation or first start, makes warranty null and void.



For the proper installation of the hood, please follow these steps:

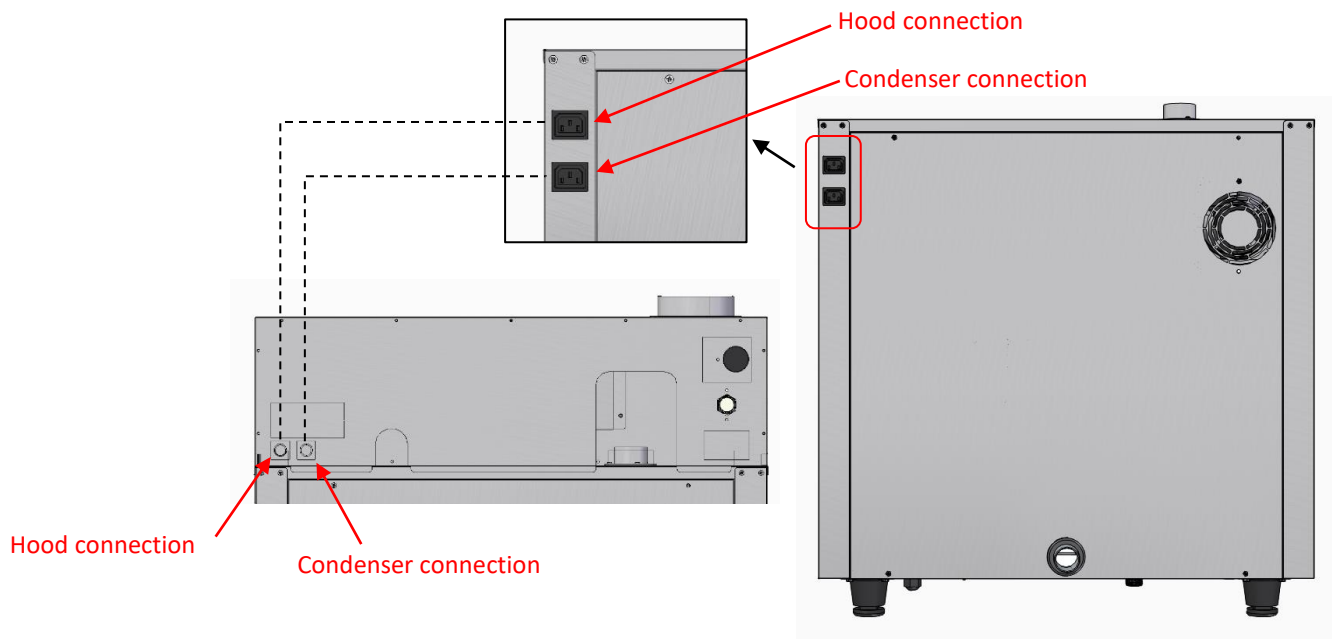


1. Make sure that the fumes inlet of the hood and the chimney of the oven are perfectly aligned
2. Bolt two side panel to the oven
3. Connect water inlet
4. Connect the IEC plugs directly into the connectors at the back of the oven
5. Connect the exit of the chimney to a fumes extraction
6. The installer will have to remove the corresponding trim part as indicated below



### 3.1 Electrical connection

The device is equipped with two quick connection cables, which must be connected to the plugs provided in the oven for this purpose:

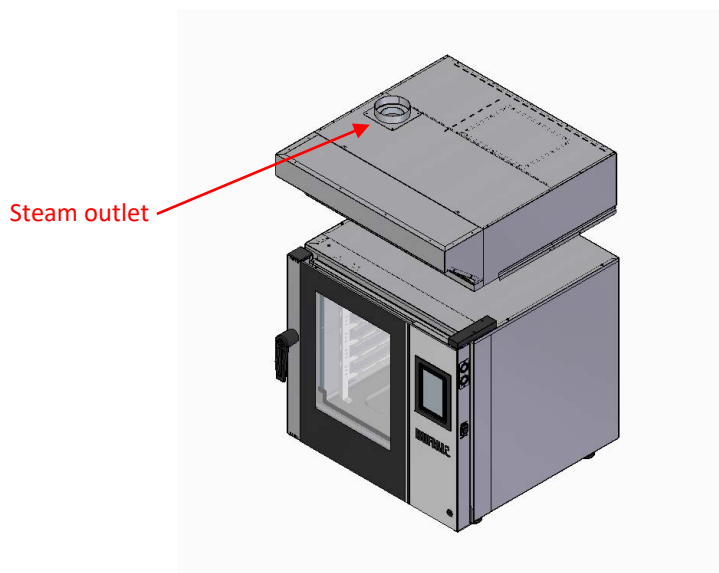


Before connecting the Oven and Hood to the power supply, check that the electrical grid characteristics match those described in the technical characteristics of each unit. The electrical installation must be performed by authorised technicians and meet the regulations in force.

Preferably, the electrical connection should be performed by mounting an electrical outlet of appropriate type and capacity for the maximum current absorbed by the oven phases. If not possible, it could be directly connected to the circuit breaker on the electrical control board.

### 3.2 Steam outlet

Exit fumes can be wet and reach high temperatures, in order to channel them safely, please ensure that pipes made from non-thermic stable materials up to 250°C are used.



### 3.3 Drain connection

The Condensation system transforms approximately 80% of the steam in the oven into water, which is why it is necessary to use pipes in the drain connection made of materials that guarantee absolute thermal stability up to at least 150°C.

### 3.4 Water connection

It is highly recommended to use an anti-lime filter in the water inlet.



**Inlet water pressure must be between 1 and 3 bar, with a temperature not over 30°C. If pressure exceeds this limit, a pressure reducer must be installed.**



**The drain of the hood must be connected bearing in mind that the temperature of fluids that travel through it can reach 150°C.**