

Technical data sheet for

E30M3 ON THE SK2731N STAND

GN 1/1 Manual / Electric Convection Oven
on a Stainless Steel Stand



STANDARD FEATURES

- 3 Gastronorm GN 1/1 pan capacity
- 100mm tray spacing
- Compact 616mm depth x 810mm width
- 13A plug-in cordset fitted
- Mechanical thermostat 50-260°C
- 60 minute timer with time up alarm
- Single direction low-velocity fan
- 2.2kW heating elements
- Safe-Touch vented side hinged door (standard LH hinge). Optional RH hinge (field convertible)
- Stay-Cool door handle
- Vitreous enamel oven chamber
- Plug-in continuous oven door seal
- Halogen oven lamp
- Anti-skid 50mm dia. 76mm high adjustable stainless steel feet
- 3 oven wire racks supplied
- 100% recyclable packaging

ACCESSORIES

- Turbofan SK2731N Oven Stand



E30M3

Unit shall be a Blue Seal electrically heated Turbofan convection oven. The oven shall have a one piece vitreous enamel oven chamber, stainless top and sides and safe touch vented easy clean side hinged door that offers field reversible hinging. Oven shall have capacity for three GN 1/1 pans. The oven shall be controlled by a mechanical thermostat with a range of 50-260°C, a 60 minute bake timer, and feature a single halogen oven lamp. Oven shall be able to be bench mounted on 76mm feet or mounted on oven stand model SK2731N. Oven shall be fitted with a 13A cordset. Unit shall be supplied in 100% recyclable shipping packaging.

SK2731N

Unit shall be a Blue Seal Turbofan stainless steel oven stand. The stand shall be constructed from stainless steel tube with castors, with front castors having dual swivel and wheel locks. It shall be fitted with 6 tray runners suitable for 600 x 400 trays and GN 1/1 pans. The stand shall be fully compatible with, and support, Turbofan Convection Oven models E27, E28, E30 and E31. Unit shall be supplied in 100% recyclable shipping packaging.

E30M3 GN 1/1 Manual / Electric Convection Oven on a Stainless Steel Stand

CONSTRUCTION

Vitreous enamel fully welded oven chamber
Stainless steel front, sides and top exterior
Stainless steel oven fan baffle and oven vent
Removable 3 position chrome plated wire side racks
Oven grids chrome plated wire (3 supplied)
Stainless steel frame side hinged door
5mm thick door outer glass
5mm thick low energy loss door inner glass
Full stainless steel welded door handle
Stainless steel control panel
Aluminised coated steel base and rear panels

CONTROLS

Power ON control panel indicator
Mechanical thermostat 50-260°C
Heating ON control panel indicator
Manual 60 minute timer
Time-Up control panel indicator and buzzer

CLEANING

Stainless steel top and sides continuous exterior panel
Vitreous enamel oven chamber
Fully removable chrome plated oven side racks
Removable vitreous enamel oven fan baffle
Easy clean door system with hinge out door inner glass (no tools required)
Removable plug-in oven door seal (no tools required)
76mm high stainless steel feet for easy access underside

SPECIFICATIONS

Electrical Requirements
230-240V, 50Hz, 1P+N+E, 2.3kW, 9.5A
13A cordset fitted

External Dimensions

Width 810mm
Height 625mm including 76mm feet
Depth 616mm

Oven Internal Dimensions

Width 565mm
Height 425mm
Depth 395mm
Volume 0.09m³

Oven Rack Dimensions

Width 540mm
Depth 370mm

Nett Weight (E30M3)
59kg

Packing Data (E30M3)

83kg
0.46m³
Width 745mm
Height 710mm
Depth 875mm

SK2731N Stainless Steel Stand

All stainless steel welded frame oven stand for Turbofan E27, E28, E30 and E31 Series model ovens
6 position tray runners standard
76mm diameter wheel swivel castors standard with 2 front castors with dual swivel and wheel lock
Welded 38mm and 32mm square tube front and rear frames
Welded rack supports/side frames
Top frame oven supports suit Turbofan E27, E28, E30 and E31 Series oven mounting
Supplied CKD for assembly on site

External Dimensions (SK2731N Oven Stand)

Width 810mm
Height 880mm
Depth 650mm

Nett Weight (SK2731N Oven Stand)

19.5kg

Packing Data (SK2731N Oven Stand)

22kg
0.11m³
Width 830mm
Height 900mm
Depth 152mm

INSTALLATION CLEARANCES

Rear 25mm
LH Side 25mm
RH Side 25mm

CLEARANCE FROM SOURCES OF HEAT

A minimum distance of 300mm from the appliance sides is required



blue-seal.co.uk
turbofanoven.com

United Kingdom
Blue Seal Limited

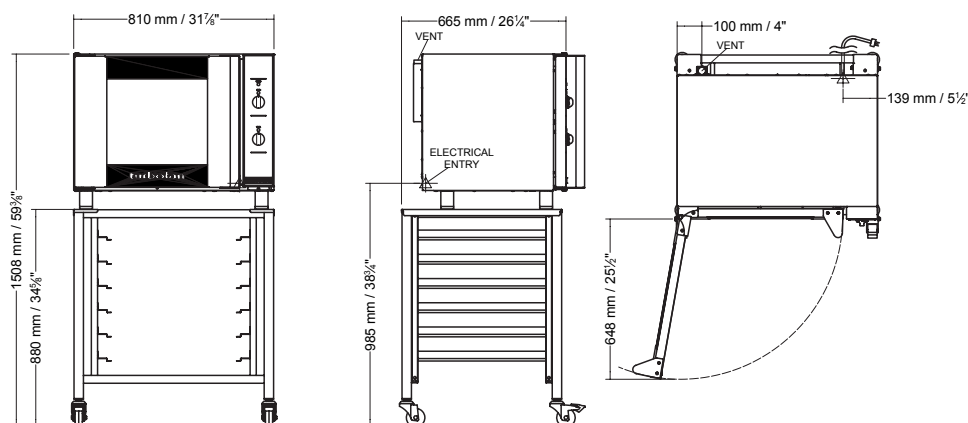
Unit 67
Gravelly Business Park
Gravelly
Birmingham B24 8TQ
England
Telephone 0121-327 5575
Facsimile 0121-327 9711
sales@blue-seal.co.uk
www.blue-seal.co.uk

Australia
Moffat Pty Limited

740 Springvale Road
Mulgrave, Victoria 3170
Australia
Telephone 03-9518 3888
Facsimile 03-9518 3833
vsales@moffat.com.au
www.moffat.com.au

New Zealand
Moffat Limited

Christchurch
45 Illinois Drive
Izone Business Hub
Rolleston 7675
Telephone +64 3-983 6600
Facsimile +64 3-983 6660
sales@moffat.co.nz
www.moffat.co.nz



ISO9001
Quality
Management
Standard

Designed and manufactured by



ISO9001

All Turbofan products are designed and manufactured by Moffat using the internationally recognised ISO9001 quality management system, covering design, manufacture and final inspection, ensuring consistent high quality at all times.

In line with policy to continually develop and improve its products, Moffat Limited reserves the right to change specifications and design without notice.



© Copyright Moffat Ltd
UK.TFN.S.1501

