

# Extra Series

**Extra C-Tap  
still-sparkling-hot**



**Installation Requirements**

## I. Installation requirements

- Do not install near direct or indirect heat sources (e.g. ovens, dishwashers, etc.). Ensure that hoses and cables do not contact heat sources.
- Place on a level surface resistant to liquids and heat that can bear the weight.
- Do not install at locations where there is a possibility of sprayed water or jets of water.
- Do not place any objects on the water dispenser.
- Make sure the environment condition is not explosive, corrosive or abrasive. Keep away from flammable objects.
- Avoid agitations and vibrations.
- The water dispenser is not suited for outdoor use.
- The ambient temperature should not exceed 32 °C / 89.6 °F.

### 1 Water connection:

A corresponding and functioning drinking water connection must be in the vicinity (to be provided by operator):

- 3/4" male angle valve or 3/4" male isolation valve terminated in a vertical position, preferably in stainless steel with shut-off valve in the cabinet underneath. The valve may also be made of chrome, plastic or brass in accordance with local legal requirements.
- For best performance and hygiene it should be located not more than 2 m left or right of the system. Do not exceed 6 m.
- Min. water supply flow pressure: 2.5 bar / 0.25 MPa (at 2 l/min waterflow).
- Water conductivity before boiler is >280 µS/cm and before cooler/carbonator is >100 µS/cm.
- Connect only to drinking water lines that supply drinking water quality in accordance with the drinking water regulations at the location of use.
- Do not use in combination with a decarbonating filter or with pH-reducing systems (e.g. RO-system). Critical pH-value is < 6.5 pH.
- Install the provided water pressure regulator including a controllable backflow preventer. Thus, a backflow or back siphonage of water into the water supply network according to DIN EN 1717 is prevented and the water dispenser protected.

### 2 Electrical connection:

The power connection for the dispenser must be provided by the operator adhering to local and harmonized safety electrical regulations/

standards. The power rating and current consumption is indicated on the type plate of the respective unit and can be found in this document.

Electrical safety is only ensured if the units are connected correctly and safely earthed in accordance with local and harmonized electrical regulations/standards.

The water dispenser is only isolated and safe when the plug is isolated and removed from the fixed socket supply.

### 3 Waste water connection or waste water container (optional):

Waste connection, trapped up stand to facilitate a 1/2" flexible pipe (to be provided by operator).

Max. 2 m left or right of the system.

### 4 CO<sub>2</sub>: Foodgrade CO<sub>2</sub> bottle type E290 is to be provided by the operator.

The spatial volume of the installation room must be known. The max. permissible size of the CO<sub>2</sub> bottle is calculated from this. Contact customer service if in doubt about the CO<sub>2</sub> bottle size. The CO<sub>2</sub> bottle must be placed as far as possible from any heat sources.

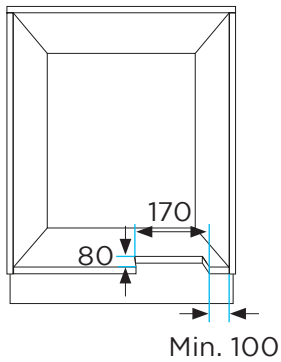
## II. Ventilation options

The ventilation areas in the cabinet should be prepared by the operator prior to the installation. Please contact your customer service for more details.

The cabinet may be ventilated in several different ways to prevent excessive heat build-up. The methods shown all take advantage of natural circulation by placing two grilles or cut-outs; one near the base and the other at the top of the enclosure. Base/ kitchen cabinet back panel should be removed for better ventilation.

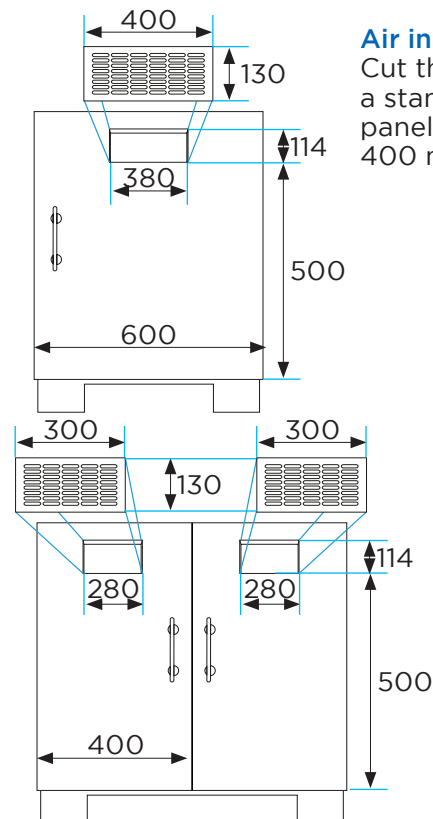
All dimensions in mm.

### Front view



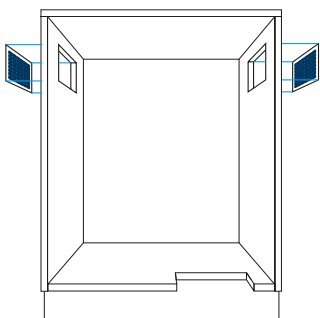
#### Air outlet

Ensure ventilation by removing a narrow section of the floor, immediately behind the door and in front of the skirting. Typical cut-out size 170 mm wide x 80 mm deep or to the skirting.



#### Air inlet

Cut the air inlet grille into a standard 600 mm door panel or in two standard 400 mm door panels.



#### Side Ventilation

Alternatively cut the air inlet grille into the side of a standard 600 mm cabinet. The grille may be fitted on either side allowing the ventilation into a free and unobstructed area.

## III. Preparation

Preparation of the furniture for installation.

### Ventilation requirements:

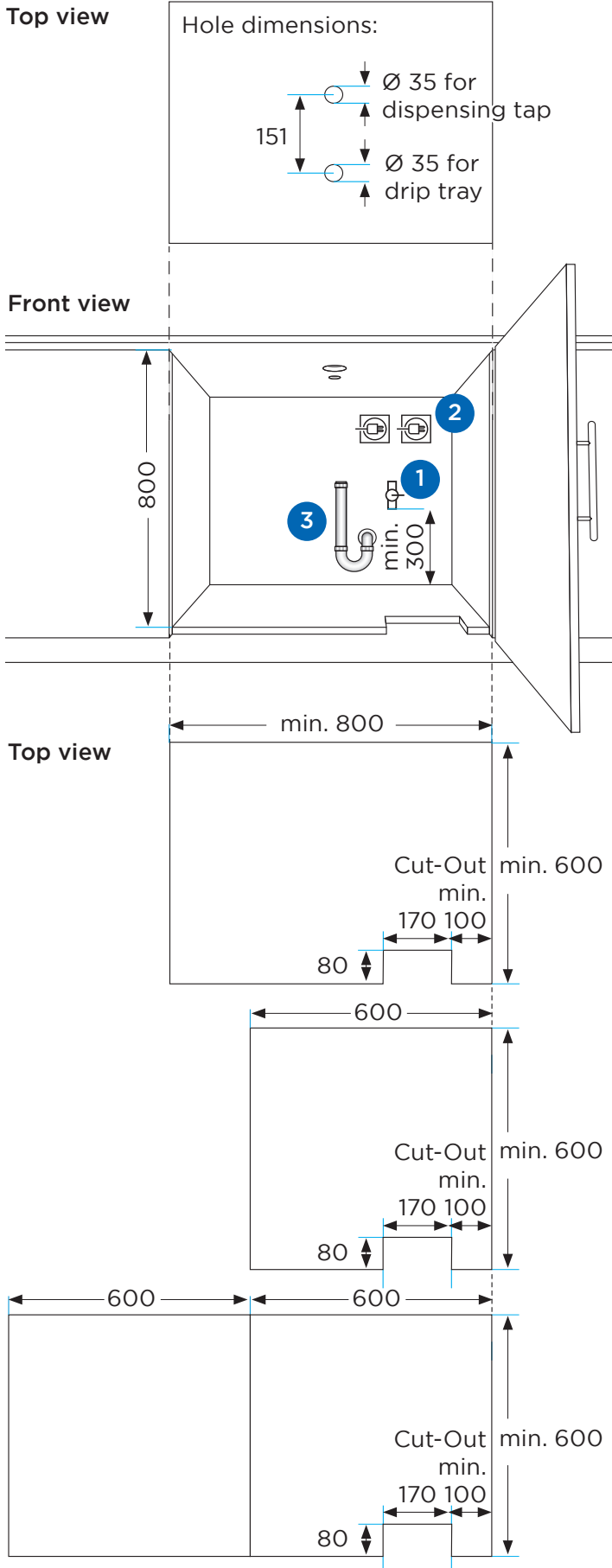
The water dispenser must be installed in such a manner that there is sufficient ventilation. Never cover or block ventilation slits and cooling fins.

### Installation requirements:

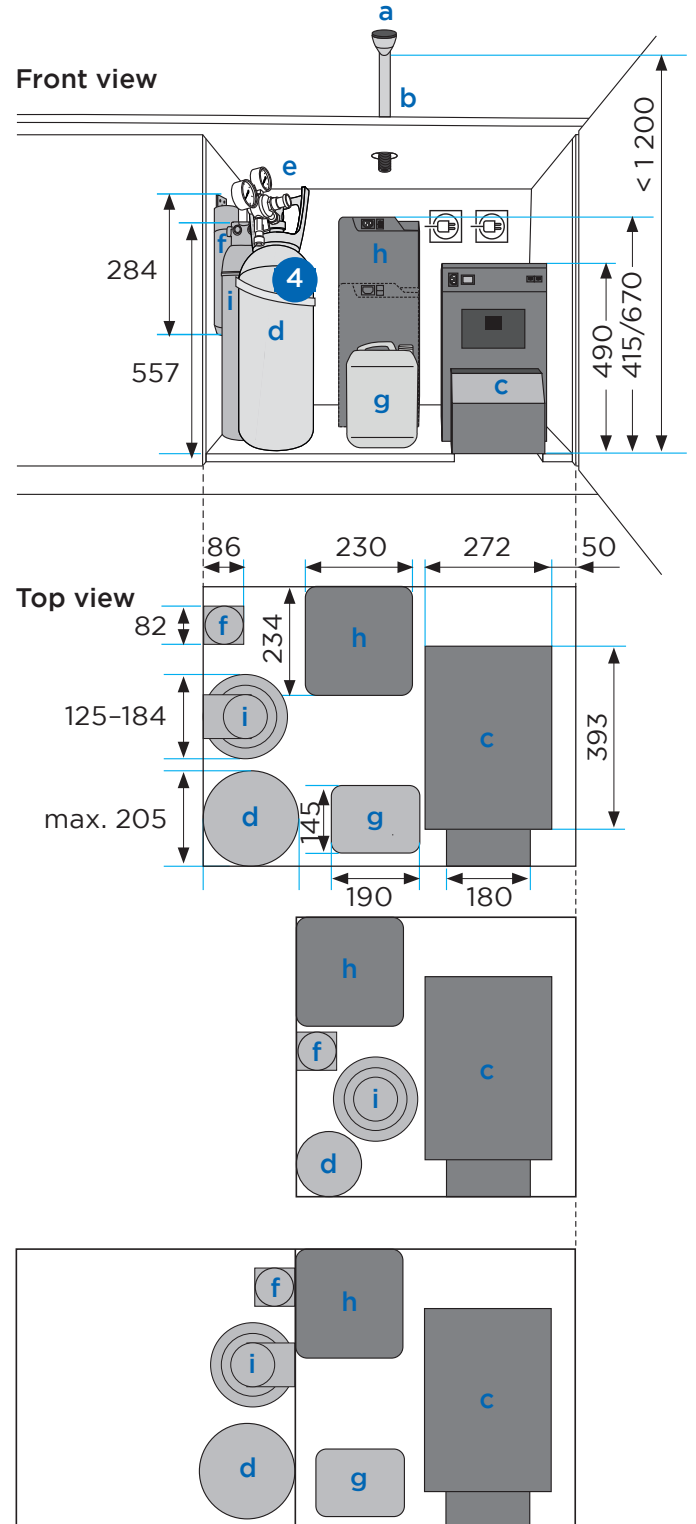
- The dispensing tap has to be installed above the cooler/carbonator and boiler. Those hoses for connection must not exceed 90 cm.
- The base cabinet has to be empty.
- Dispenser and boiler must stand in an upright position.

## IV. Arrangement

All dimensions in mm.

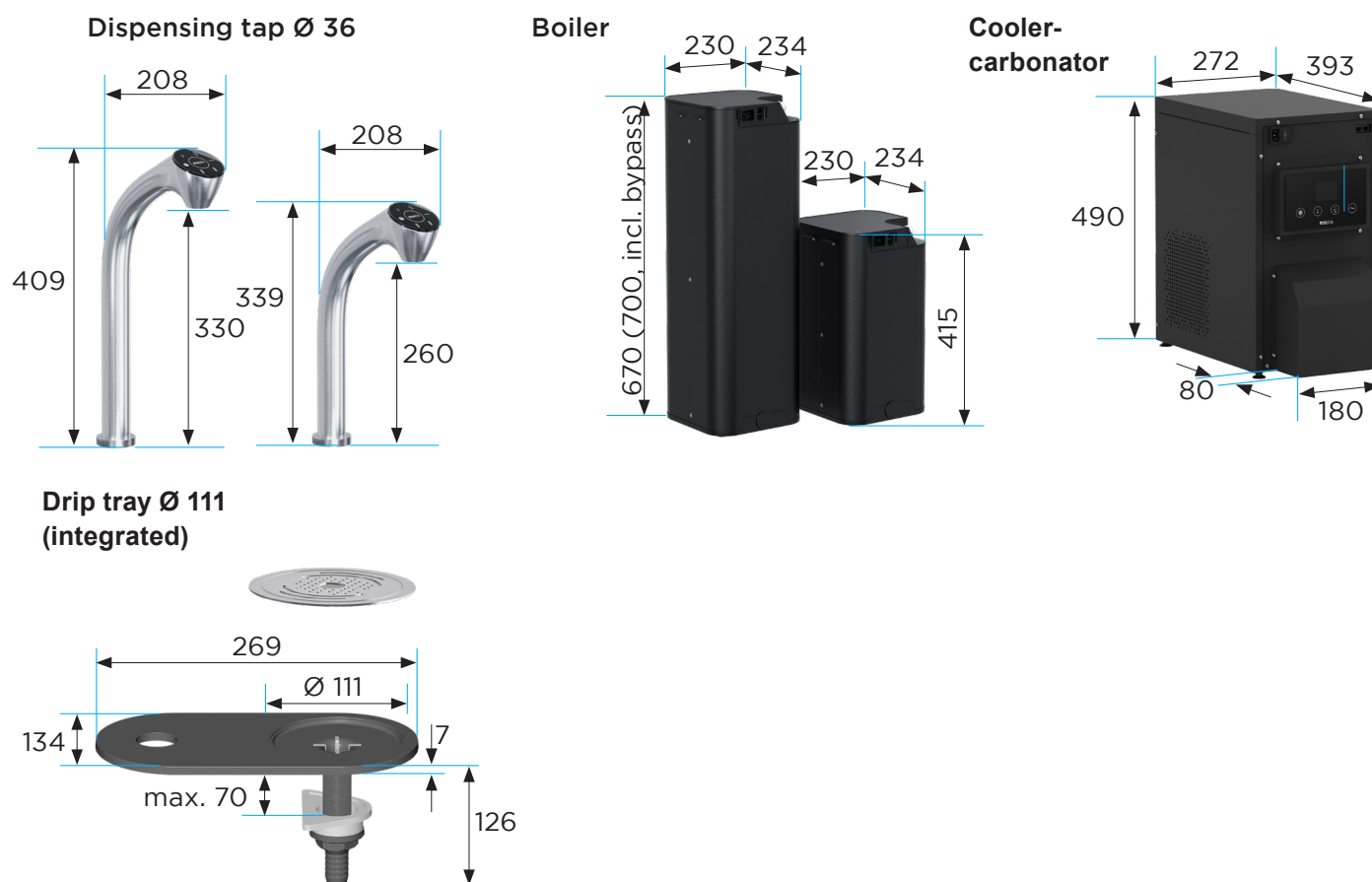


- a. Dispensing tap
- b. Integrated drip tray
- c. Cooler-Carbonator
- d. CO<sub>2</sub> bottle
- e. CO<sub>2</sub> pressure regulator
- f. Filter: CLARITY Protect 100
- g. Optional: Waste water container
- h. Boiler
- i. PURITY C300/C500/C1100 Dispenser filter



## V. Dimensions

All dimensions in mm.



## VI. Technical data

Technical conditions	Extra Series
Voltage	220-240 V
Frequency	50 Hz
Max. system inlet water pressure	0.6 MPa/6 bar
Inlet water pressure, min.	0.25 MPa/2.5 bar (at 2 l/min waterflow)
System operating inlet water pressure	0.4 MPa/4 bar (at 2 l/min waterflow)
Max. relative humidity	60 %
Inlet water temperature	5-25 °C
Temperature range	16-32 °C
Height above sea level	< 2 000 m
Ideal system operating inlet water pressure	0.4 MPa/4 bar
Protection Class	I

Cooler-carbonator	Extra Series
Width	272 mm
Height	490 mm
Depth	473 mm
CO <sub>2</sub> operation pressure	0.45 MPa/4.5 bar
Flow rate	2 l/min
Weight	38.5 kg
Current, max. (Extra 50 / Extra 85)	2.4 A
Power consumption, max.	540 W
Cooling Performance	85 l/h
Refrigerant: R290	68 g
Noise emission	< 60 dB (A)

Boiler	Medium	Large
Width	230 mm	230 mm
Depth	234 mm	234 mm
Height	415 mm	670 mm
Weight	7.8 kg	11,3 kg
Flow rate	1.6 l/min	1.9 l/min
Current, max.	9 A	9 A
Power consumption, max.	2 100 W	2 100 W
Heating performance	20 l/h	30 l/h

Tap	C-Tap (26 cm)	C-Tap (33 cm)
Height	339 mm	409 mm
Depth	269 mm	269 mm
Diameter	36 mm	36 mm
Dispensing height	260 mm	330 mm
Weight	1.9 kg	2.5 kg

**BRITA SE**  
Heinz-Hankammer-Str. 1  
65232 Taunusstein  
Germany

[www.brita.net](http://www.brita.net)

**BRITA Vivreau Ltd**  
1st Floor  
Beaufort House  
Cricket Field Road  
Uxbridge UB8 1QG  
United Kingdom

[www.vivreau.com](http://www.vivreau.com)