

**Model**

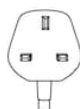
MP10

Product Description

Planetary Mixer, 10 litre, Heavy Duty

Product Code

5MP10

**Standard Features**

- Heavy duty 10ltr, countertop, belt driven, planetary mixer
- Particularly suitable for bakeries, hotels, restaurants, canteens etc
- Easy to operate
- Planetary mixing action and digital timer ensures perfect results
- High torque motor allows mixing of stiffer doughs and larger batches
- 15 minutes timer
- Digital control panel
- 3 fixed speeds: 135, 243 and 480 rpm
- Easy speed-shifting
- Interlocking bowl guard and bowl lift
- Stainless steel safety guard with ingredient chute and automatic shut-off when guard is opened at any speed
- Overload protection (NVR device)
- Emergency stop button
- Long lasting lubricant providing abrasion resistant transmission
- Timing belt transmission
- All metal and die-cast aluminium body
- Non-slip rubber feet
- Quiet operation

Standard Accessories / Attachments

- 1 x Whisk
- 1 x Beater
- 1 x Dough hook
- 1 x 10 litre Stainless steel bowl

Warranty

Covered by Metcalfe 3-year warranty (1st year parts and labour, 2nd & 3rd years parts only) and full after sales service.

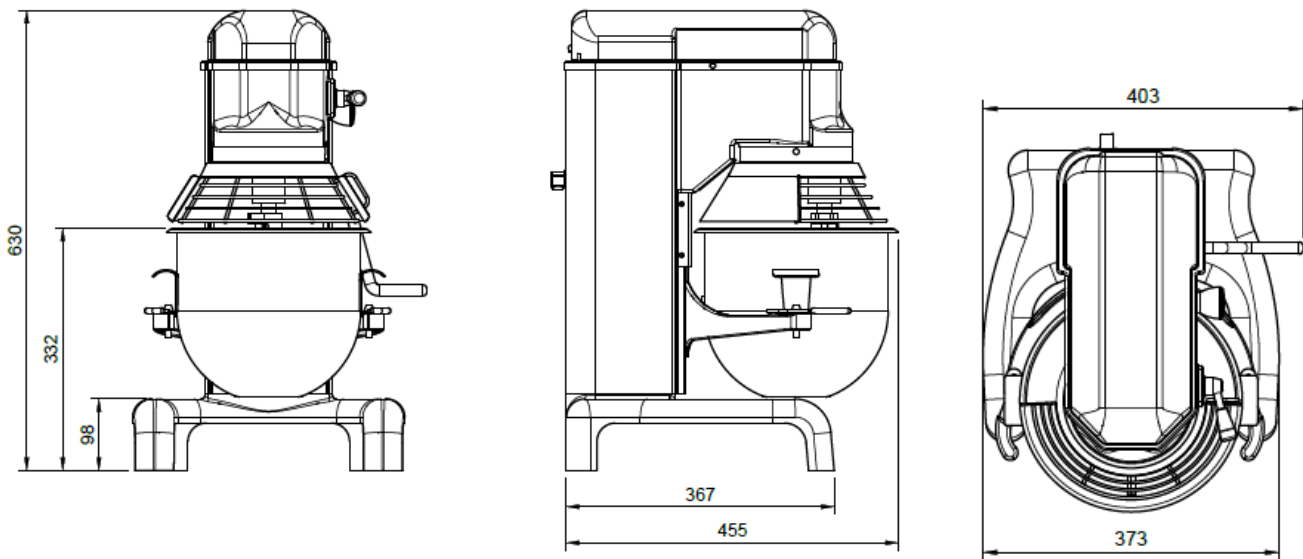
Note: The minimum requirement for all electrical equipment's correct operation is an air temperature of between +5°C and +40°C. Mixers should not be operated in a cold store.

Optional Accessories / Attachments

Item	Product Code
Bowl	MPBM10-12-001
Beater	MPBM10-12-002

Item	Product Code
Dough Hook	MPBM10-12-003A
Whisk	MPBM10-12-004

Drawing



Specifications

Model	Capacity (ltr)	Phase (Ø)	Motor (Volt)	Frequency (Hz)	AMP (A)	Power (kW / hp)	Speed (rpm)
MP10	10	1	220-240	50	3.5	0.25 / 0.33	135 / 243 / 480

Dimensions | Shipping Information

Model	Overall Dimensions D x W x H (mm)	Net Weight (kg)	Packed Dimensions D x W x H (mm)	Packed Weight (kg)	Volume (m3)
MP10	455 x 403 x 630	62	580 x 450 x 800	72	0.209

We reserve the right to alter the specification and technical details for this item at any time without prior notice.

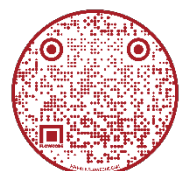
1/2024

Metcalfe Catering Equipment Ltd

Haygarth Park

Blaenau Ffestiniog

Gwynedd, LL41 3PF



We reserve the right to alter the specification and technical details for this item at any time without prior notice.

1/2024

Metcalfe Catering Equipment Ltd

Haygarth Park
Blaenau Ffestiniog
Gwynedd, LL41 3PF



 01766 830 456

 sales@metcalfecatering.com

 www.metcalfecatering.com