

FS-A2/3/4/5

AMBIENT CUPBOARD WITH PLAIN TOP AND LED ILLUMINATED GANTRY

Flexi-Serve mobile ambient cupboard with plain top and LED illuminated gantry. Available in 4 size options, the stainless steel top provides a generous work or display area.

Can be used as a base unit for accessories such as plate dispensers and soup kettles.

Use as a single servery or combine with other Flexi-Serve modules to create your perfect counter layout.



Model Specification	FS-A2	FS-A3	FS-A4	FS-A5
Dimensions (w x d x h) mm	860x700x900	1160x700x900	1495x700x900	1830x700x900
Temperature Range (°C)	N/A	N/A	N/A	N/A
Total Power kW (Unit Only)	N/A	N/A	N/A	N/A
Total Power kW (Unit and Gantry)	0.01	0.02	0.02	0.03
Number of gantry bulbs	1	2	2	3
Plug Type	13 Amp	13 Amp	13 Amp	13 Amp
Weight Packed (kg)	96	136	150.5	191.5
Weight Unpacked (kg)	86	108	128.5	169.5
Dimensions incl. Gantry & Trayslide	860x983x1440	1160x983x1440	1495x983x1440	1830x983x1440

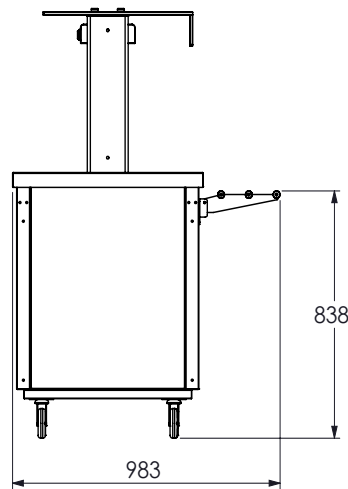
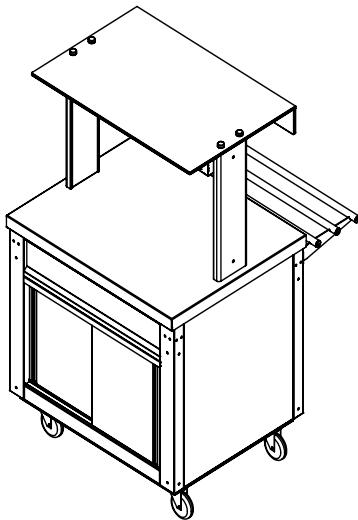
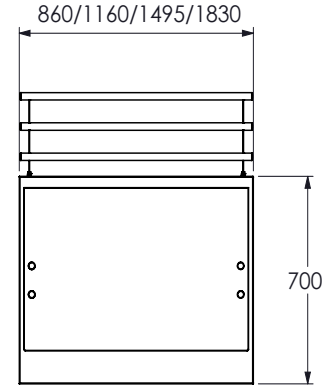
FEATURES

- Stainless steel plain top provides large work or display area
- Ambient cupboard with rodded shelves provides generous storage and is GN compatible
- Removable cupboard shelves and supports makes cleaning easier, shelves fit in a dishwasher
- Various fascia panel colours available
- Adjustable cupboard shelf positions offers increased flexibility and capacity when required
- Narrow 700mm width fits easily through doorways
- 4 heavy duty 100mm locking castors
- 10mm deep bonded glass to gantry

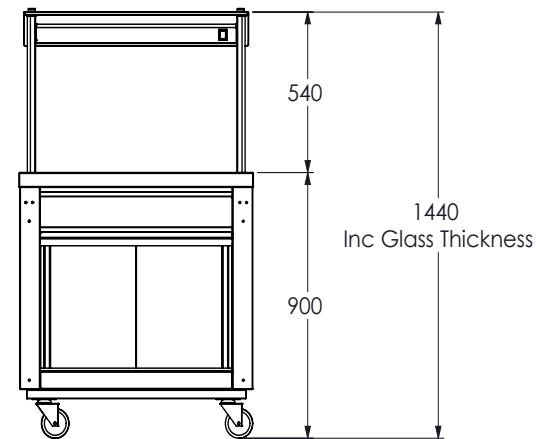
AMBIENT CUPBOARD WITH PLAIN TOP AND LED ILLUMINATED GANTRY

FS-A2 LINE DRAWING

Dimensions in mm



757 With tray slide in the down position



AVAILABLE ACCESSORIES

- Island glass or Assisted glass at an additional cost