

FS-HT2/3/4/5

## HOT CUPBOARD WITH HOT TOP AND LED ILLUMINATED GANTRY

Flexi-Serve mobile plain top hot cupboard. Designed to run on one 13amp plug to minimise power consumption whilst keeping food at the optimal serving temperature. Available in 4 size options, the fan assisted hot cupboard features 2 height adjustable, removable shelves.

Use as a single servery or combine with other Flexi-Serve modules to create your perfect counter layout.



Model Specification	FS-HT2	FS-HT3	FS-HT4	FS-HT5
Glass Hot Plates	2	3	4	5
Dimensions (w x d x h) mm	860x700x900	1160x700x900	1495x700x900	1830x700x900
Temperature Range (°C)	30-90	30-90	30-90	30-90
Total Power kW (Unit only)	1.86	2.04	2.22	2.4
Total Power kW (Unit and gantry)	2.06	2.44	2.62	3.0
Number of gantry bulbs	1	2	2	3
Plug Type	13 Amp	13 Amp	13 Amp	13 Amp
Weight Packed (kg)	96	136	150.5	191.5
Weight Unpacked (kg)	86	108	128.5	169.5
Dimensions incl. Gantry & Trayslide	860x983x1440	1160x983x1440	1495x983x1440	1830x983x1440

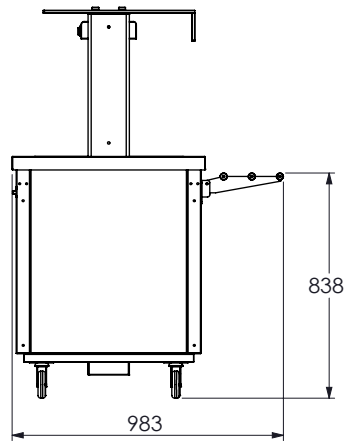
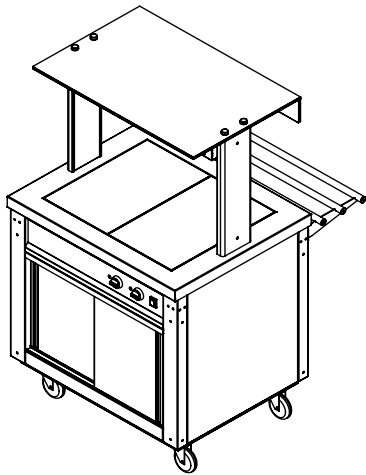
### FEATURES

- 1/1 GN sized glass hot plates, ideal for ceramic or cast iron dishes
- Fan assisted hot cupboard with wire shelves holds food at ideal temperature for service
- Removable hot cupboard shelves and supports makes cleaning easier, shelves fit in a dishwasher
- Various colours of fascia panels available
- Adjustable hot cupboard shelf positions offer increased flexibility and capacity when required
- Narrow 700mm width fits easily through doorways
- 4 heavy duty 100mm locking castors
- 10mm deep bonded glass to gantry

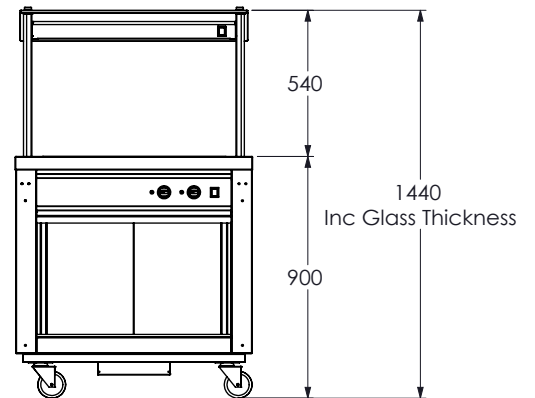
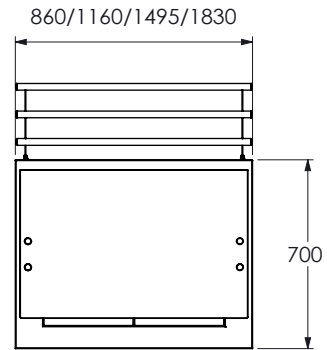
## HOT CUPBOARD WITH HOT TOP AND LED ILLUMINATED GANTRY

### FS-HT2 LINE DRAWING

Dimensions in mm



757 With tray slide in the down position



W

### AVAILABLE ACCESSORIES

- Island glass or Assisted glass at an additional cost