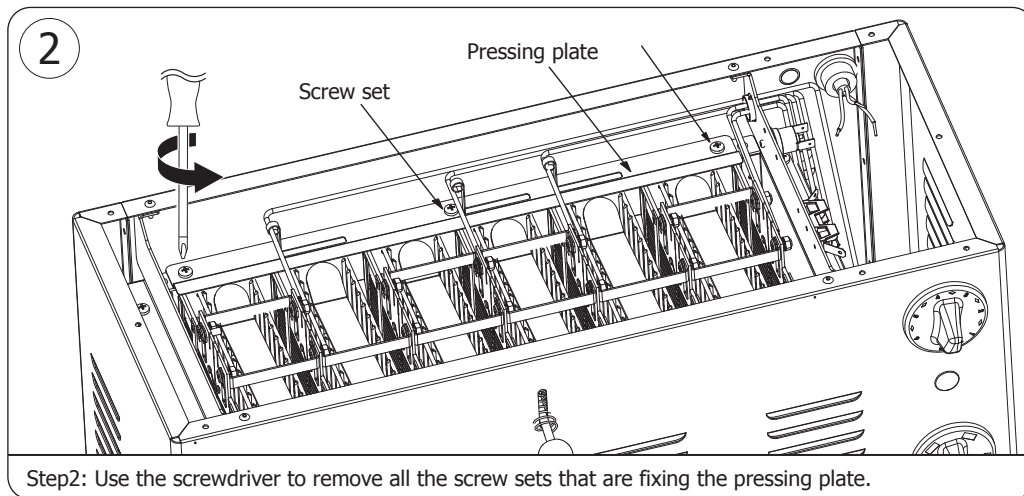
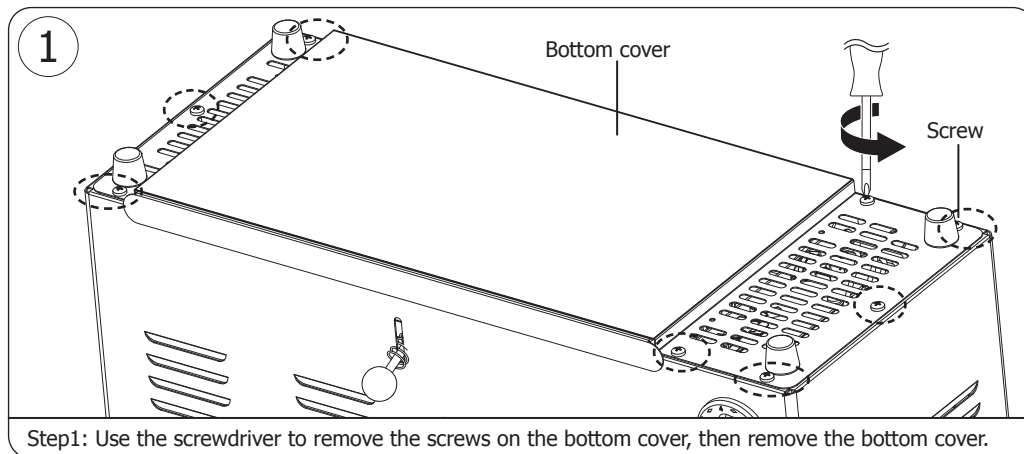


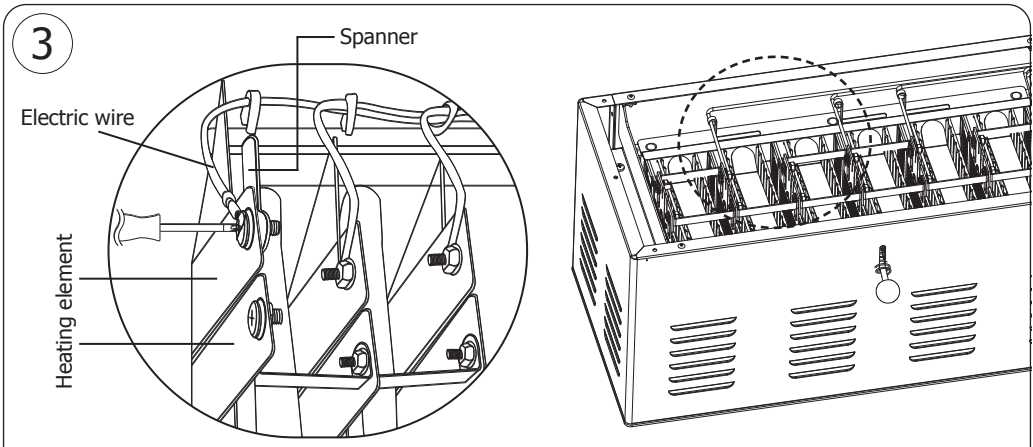
Replacing the heating element



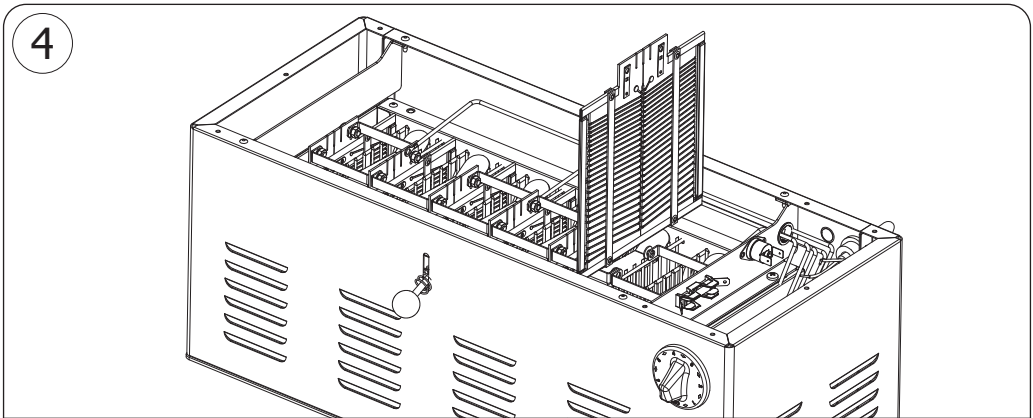
Before taking action, ensure to identify the damaged heating element, then disconnect toaster from power supply and let it cool down sufficiently. Element replacement to be conducted by an electrically competent person!

Tools needed (not supplied)





Step3: Lift the damaged heating element. Then use the spanner to hold the nut whilst using the screwdriver to loosen the screw, thus the heating element can be released.



Step4: Take out the damaged heating element.

Step5: Insert a new heating element into the slot, then mount the electric wire and heating element in place with the previously removed nuts and screws.

Step6: Install back the previously removed pressing plate and bottom cover with the screws.

Replacing element_Size 146x162mm_v1_20210914