



Authorized Distributor:
FOODSERVICE EQUIPMENT MARKETING
 10 CARRON PLACE-KELVIN IND.ESTATE G75 0YL GLASGOW()
 TEL./FAX. 0044-1355 244111 / 0044-1355 241471
 E-mail:saganm@fem.co.uk

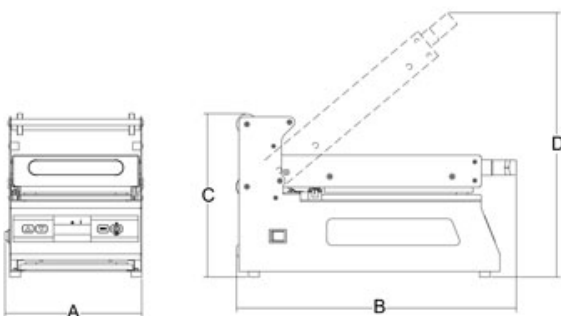


Sirman Sealer , model Sigix M20 :

- A practical and robust manual tray sealer
 - AISI 304 stainless steel body
 - Electronic controller with temperature and preheating controls
 - Tray count
 - Sealing time: 4 seconds
 - Maximum tray size: 260x190 mm
 - Custom dies made to drawings
 - Teflon coated aluminium sealing plate
 - Maximum film width: 200 mm
- Optionals:
- Film rolls
- Standard trays
- 137x95, h.63 mm
 - 190x137, h.72 mm
 - 230x190, h.65 mm
 - 260x190, h.65 mm
- Dies for standard tray sizes.



Data sheet



Technical data

Model	Sigix M20
Power	watt 900
Power source	1ph
Max. film roll	mm 200
Tray max dimensions	mm 260x190
A	mm 257
B	mm 525
C	mm 306

D	mm 496
Net weight	kg 18
Shipping	mm 620x380x400
Gross weight	kg 22
HS-CODE	84224000