

# MTE30



Product Family	Minibars
Installation	Free Standing
Category	One Door
Cooling type	Thermo-Electric
Defrost	Automatic
Hinge type	Standard
Hinge position	Right
Reversible door	Yes
EAN code	8017709312534



## Aesthetics

Colour	Black
Material	Plastic
Handle	Integrated
Logo colour	Chrome
Side material	Steel
Side colour	Black
Logo	Silk screen

## Refrigerator compartment features



No. of adjustable shelves	1
Type of adjustable shelves	Glass
Internal light in fridge	Yes
Type of internal light (fridge)	LED

## Refrigerator Inner Door

Number of adjustable door shelves	1
No. of bottle shelves	1

## Other technical features

Refrigerant gas type	R600a	Refrigerant Quantity (gr)	25 g
----------------------	-------	---------------------------	------

---

## Performance / Energy Label

---

Noise level 23 dB(A) re 1pW

---

## Performance / Energy Label NEW

---



Annual energy consumption	131 kWh/a
Energy efficiency class	G
Airborne acoustical noise emission class	A
Total volume	20 l
Sum of the volumes of the chill compartment(s) and the unfrozen compartment(s)	20 l
Total volume	30 l
Climatic class	N
EEL	168 %

---

## Electrical Connection

---

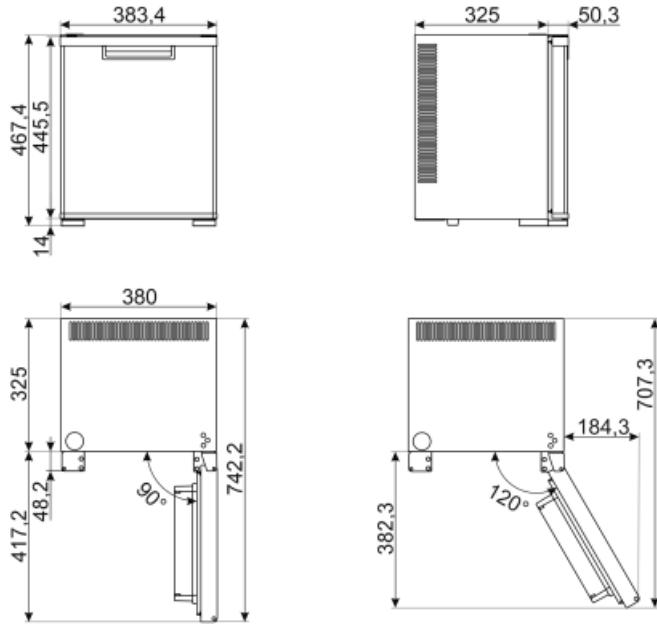
Plug	(F;E) Schuko
Nominal power	65 W
Voltage (V)	230 V
Frequency (Hz)	50/60 Hz
Power supply cable length	150 cm

---

## Logistic Information

---

Width (mm)	384 mm
Depth without handle	375 mm
Product Height with feet	468 mm
Product width with maximum doors opening	567 mm
Product depth with doors open at 90°	742 mm



---

## Symbols glossary

---



The automatic defrost system works by automatically defrosting at regular intervals eliminating the need to defrost altogether.



LED interior lighting: is a more energy efficient and long lasting way of illuminating the interior of the appliance.



Energy efficiency class G